

RECESS MOUNT DETAIL

INWALL MOUNT

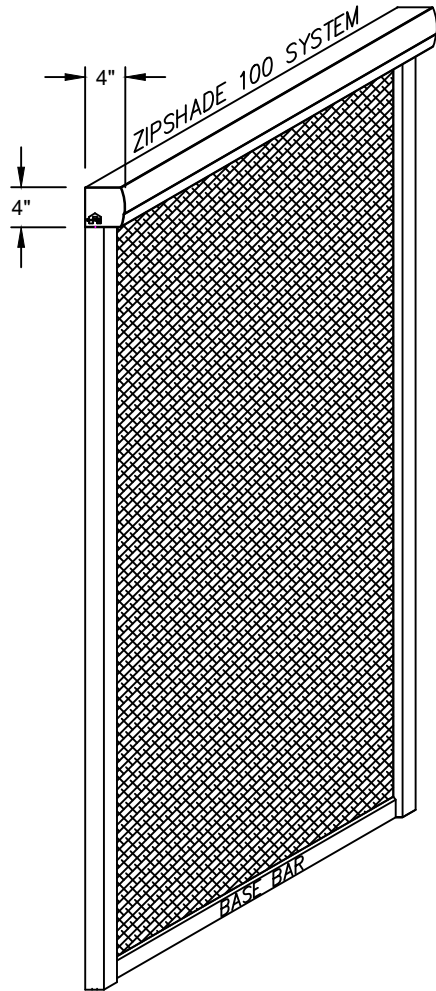
DATE	PROJECT:
2014/12/17	
DESCRIPTION:	



**System Specification Sheets**  
ZipShade Evo 100

# The Zipshade 100 System

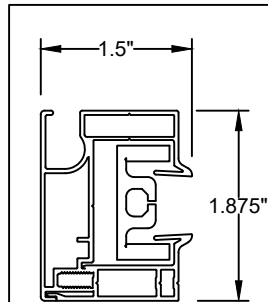
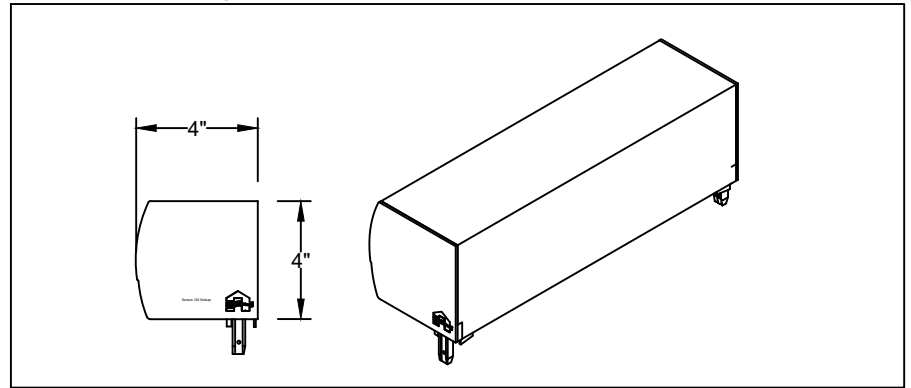
## Overview and Technical Specifications



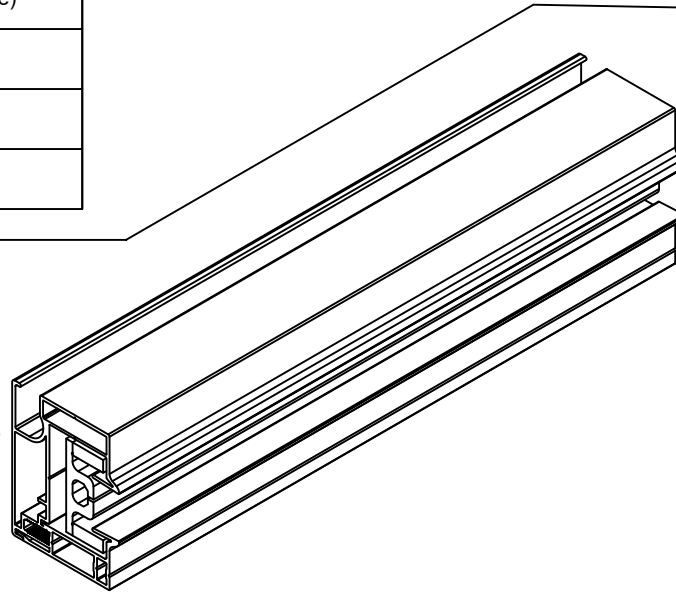
• Available Colors:

Frame Color
White
Beige (Light Beige)
Cream
Metallic
Bronze
Arcona Beige (Dark Beige)
Dark Brown
Grey
Bronze

• Available Housing



• Available Rail:

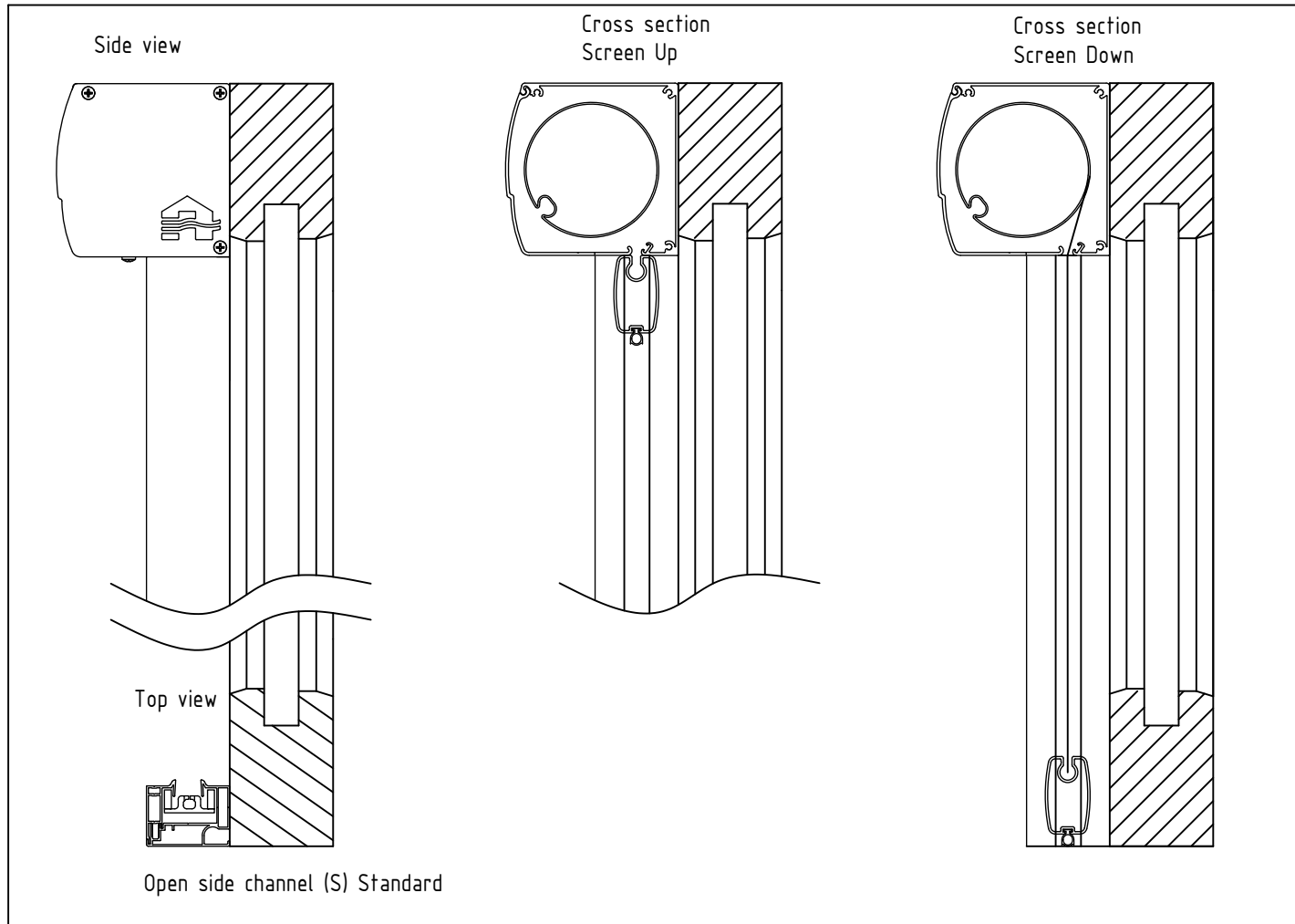


**KEY TECHNICAL FEATURES**

- POWDER COATED
- CO-EXTRUDED INNER RAIL
- ICONIC SHAPED AXLE
- SCREENS WELDED
- MOTORIZED UNITS HAVE OBSTACLE DETECTION DEVICE.

<p>Copyright © 2017 Rollac V1.1.2017</p> <p>ROLLAC ROLLING SHUTTERS 5331 W. ORANGE ST. PEARLAND, TX 77581 TEL: 281-485-1911 WWW.ROLLAC.COM</p>	NAME	DATE	PROJECT:	
	DRAWN	TRAVIS E.	2017/01/11	DESCRIPTION: SYSTEM SPECIFICATION SHEETS FOR ZIPSHADE 100 SYSTEM.
	CHECKED	STEFAN P.	2017/01/11	
	APPR.		YYYY/MM/DD	
UNLESS OTHERWISE SPECIFIED DIMENSIONS ARE IN INCHES			SIZE DWG. NO.	
ANGLES	.X	.XX	.XXX	REV
± .5	± .1	± .03	± .005	A
THIRD ANGLE PROJECTION			SCALE: NONE   WEIGHT: XX.XLBS   1 OF 13	

# Housing Detail Surface Mounted



<p>Copyright © 2017 Rollac V1.1.2017</p> <p>ROLLAC ROLLING SHUTTERS 5331 W. ORANGE ST. PEARLAND, TX 77581 TEL: 281-485-1911 WWW.ROLLAC.COM</p>	NAME	DATE	PROJECT:
	DRAWN TRAVIS E.	2017/01/11	DESCRIPTION: SYSTEM SPECIFICATION SHEETS FOR ZIPSHADE 100 SYSTEM.
	CHECKED STEFAN P.	2017/01/11	
	APPR.	YYYY/MM/DD	
UNLESS OTHERWISE SPECIFIED DIMENSIONS ARE IN INCHES			
ANGLES	.X ± .5	.XX ± .1	.XXX ± .03
<p>THIRD ANGLE PROJECTION</p>			SIZE DWG. NO. <b>A</b> ZIPSHADE 100
SCALE: NONE			WEIGHT: XX.XLBS
			REV <b>A</b>
			2 OF 13

# The Zipshade 100 System

## System Overview and Technical Specifications

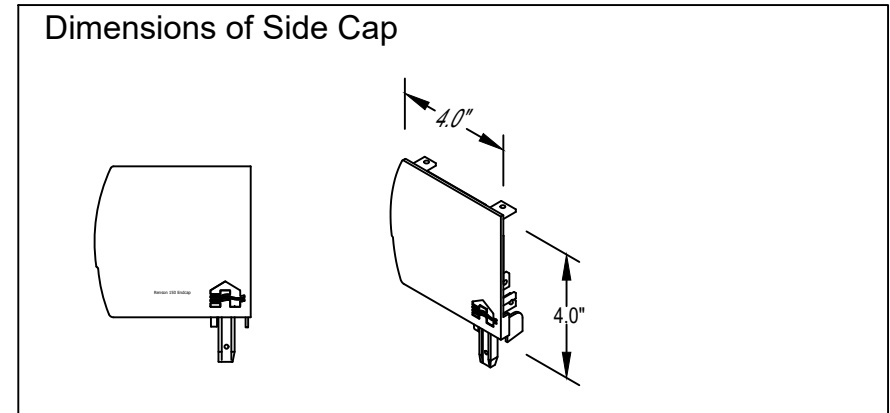
### • Required Minimum and Maximum Dimensions for Operators

Manual System Min and Max Dimensions	
System Width	2' - 6'
System Height	3' - 6'
Maximum System SQFT	30 sqft

### • Available Operators and SQFT Limitations

Operator System Dimensions	Max SQFT
Gear	30 sqft
Motor Regular Switch	81 sqft
Motor with Remote Control	81 sqft

Motorized Systems Min and Max Dimensions	
System Width	3' - 13'
System Height	3' - 11' -6"
Maximum System SQFT	81 sqft




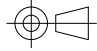
\*The system specifications and information herein are based on the dimensional recommendations. If a system requires dimensions outside the scope of these technical recommendations, special engineering and installations may be required. Always consult with Rollac first.

Systems over 100" FM have lower RPM Motor.

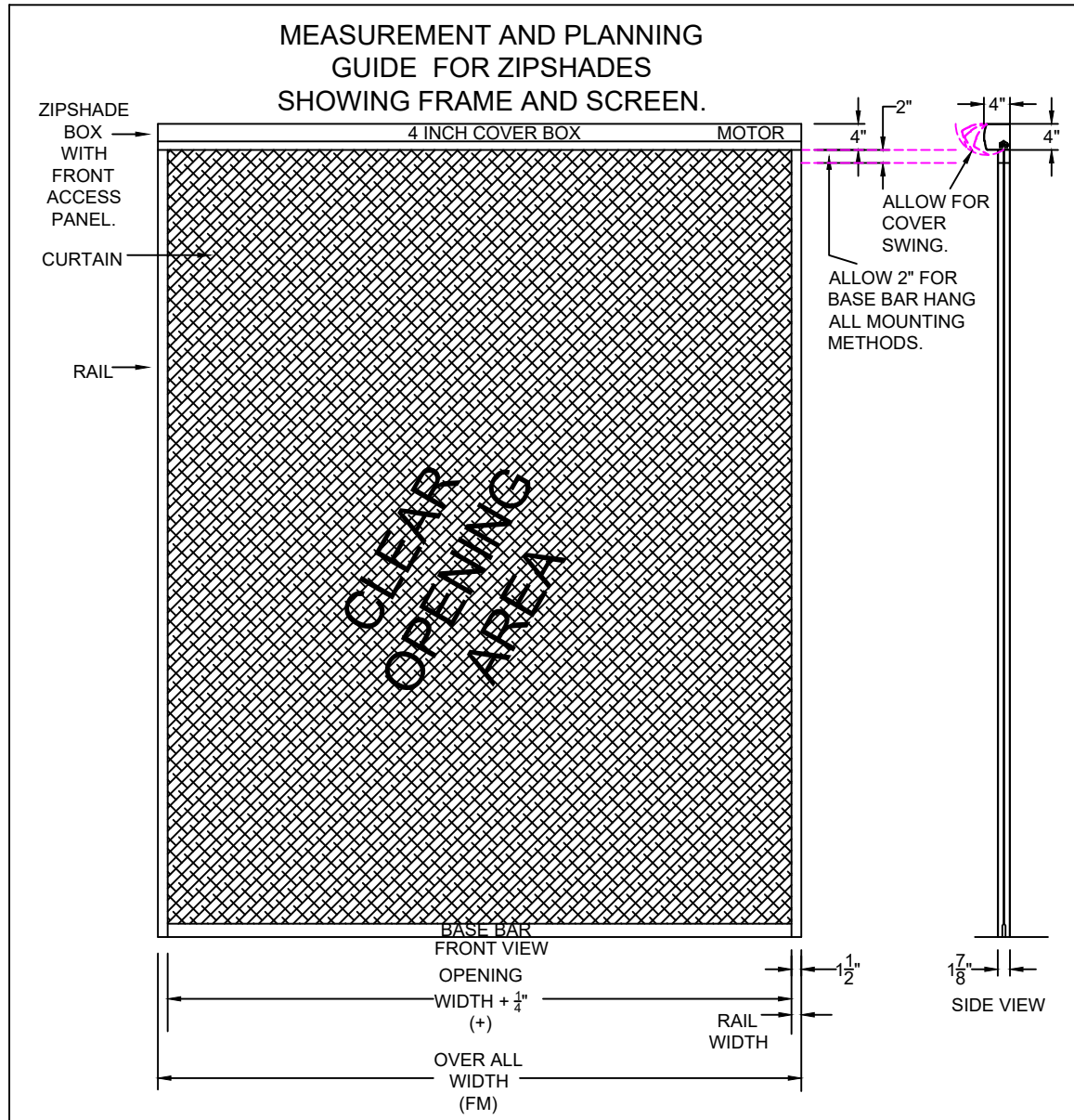
<p style="font-size: 8px; margin-top: 5px;">Copyright © 2017 Rollac V1.1.2017</p> <p style="font-size: 8px; margin-top: 5px;">ROLLAC ROLLING SHUTTERS 5331 W. ORANGE ST. PEARLAND, TX 77581 TEL: 281-485-1911 WWW.ROLLAC.COM</p>	DRAWN	NAME	DATE	PROJECT:  DESCRIPTION: SYSTEM SPECIFICATION SHEETS FOR ZIPSHADE 100 SYSTEM.
	CHECKED	STEFAN P.	2017/01/11	
	APPR.	YYYYMMDD		
	UNLESS OTHERWISE SPECIFIED DIMENSIONS ARE IN INCHES			
ANGLES	.X	.XX	.XXX	SIZE DWG. NO. <b>A</b> ZIPSHADE 100 <b>A</b> SCALE: NONE   WEIGHT: XX.XLBS   3 OF 13
± 5	± .1	± .03	± .005	
THIRD ANGLE PROJECTION				

Available Stock Fabric Collection	Available Seam Height
Mermet Natte 88%	Seam at 98" opening height
Mermet Satine 95%	Seam at 98" opening height
Phifer Suntex 95 (95%)	Seam at 126" opening height
Phifer Suntex 90 (90%)	Seam at 120" opening height
Phifer Tuff Screen	Seam at 120" opening height
Ferrari Blackout Fabric	Seam at 67" height
Other fabric collections are non stock and available upon request	

Applicable Seam Height: When the zipscreen exceeds the height of the available screen material, two screens have to be welded together. The height where the weld occurs (roughly 0.5") is shown.

	DRAWN	NAME	DATE	PROJECT:
	CHECKED	STEFAN P.	2017/01/11	DESCRIPTION:
	APPR.	YYYY/MM/DD		SYSTEM SPECIFICATION SHEETS FOR ZIPSHADE 100 SYSTEM.
	UNLESS OTHERWISE SPECIFIED DIMENSIONS ARE IN INCHES			
Copyright © 2017 Rollac V1.1.2017  ROLLAC ROLLING SHUTTERS 5331 W. ORANGE ST. PEARLAND, TX 77581 TEL: 281-485-1911 WWW.ROLLAC.COM	ANGLES	X	.XX	.XXX
	± .5	± .1	± .03	± .005
	 THIRD ANGLE PROJECTION			SIZE DWG. NO. <b>A</b> ZIPSHADE 100
	SCALE: NONE		WEIGHT: XX.XLBS	REV <b>A</b> 4 OF 13

# COMMON TERMS USED FOR ZipShades



## Measuring for a ZIPSHADES is easy once you know what issues to consider

1) Consider the way a ZIPSHADE will need to be installed. Is the area free of obstruction or will you need to fit the ZIPSHADE within a certain space?

The answer to this question will tell you whether you should use a plus (+) measurement or FM measurement.

2) Consider the height of the ZIPSHADE. The taller the ZIPSHADE, the larger the box size. In addition to the added height for the box, some space should be allowed for the base bar of a fully open ZIPSHADE in order to keep the view from inside unobstructed.

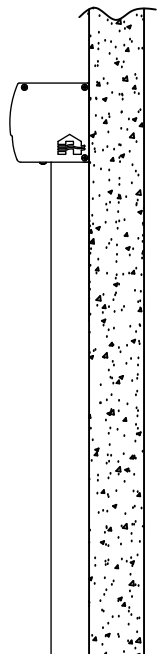
3) Consider the width of the ZIPSHADE. Adding either 3 inches for rails. Keep in mind, however, that this is only a guideline, and technical changes may be made when necessary.

4) Consider how power is supplied to the ZIPSHADE and the location of any control switches.

If you have any questions about this measuring and planning guideline, please don't hesitate to contact us at (281)485-1911 or at [Sales@rollac.com](mailto:Sales@rollac.com).

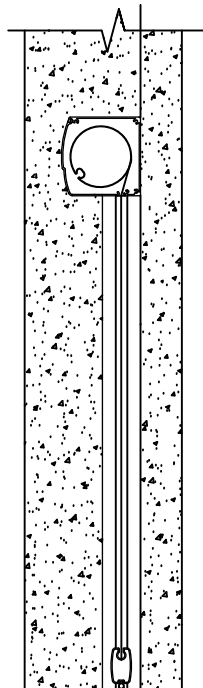
<p>Copyright © 2017 Rollac V1.1.2017</p> <p>ROLLAC ROLLING SHUTTERS 5331 W. ORANGE ST. PEARLAND, TX 77581 TEL: 281-485-1911 WWW.ROLLAC.COM</p>	DRAWN	NAME	DATE	PROJECT:
	CHECKED	TRAVIS E.	2017/01/11	DESCRIPTION: SYSTEM SPECIFICATION SHEETS FOR ZIPSHADE 100 SYSTEM.
	APPR.	STEFAN P.	2017/01/11	
	UNLESS OTHERWISE SPECIFIED DIMENSIONS ARE IN INCHES			
ANGLES	± .5	± 1	± .03	± .005
<p>THIRD ANGLE PROJECTION</p>				SIZE DWG. NO. <b>A</b> ZIPSHADE 100 <b>A</b>
SCALE: NONE   WEIGHT: XX.XLBS				5 OF 13

# ZIPSHADE MOUNTING OPTIONS



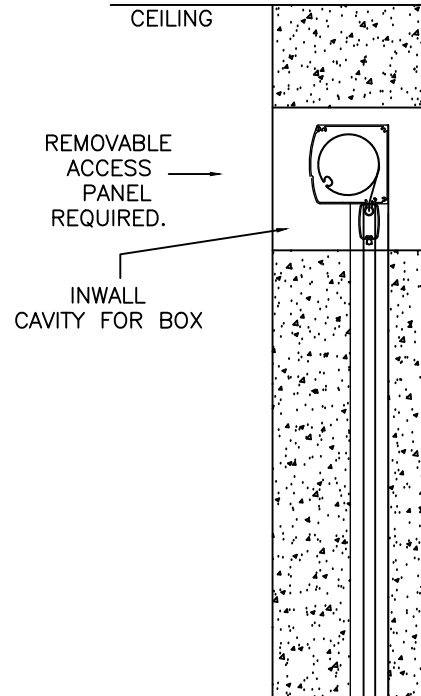
**SURFACE MOUNT**

See Page 7 of 13 for details.



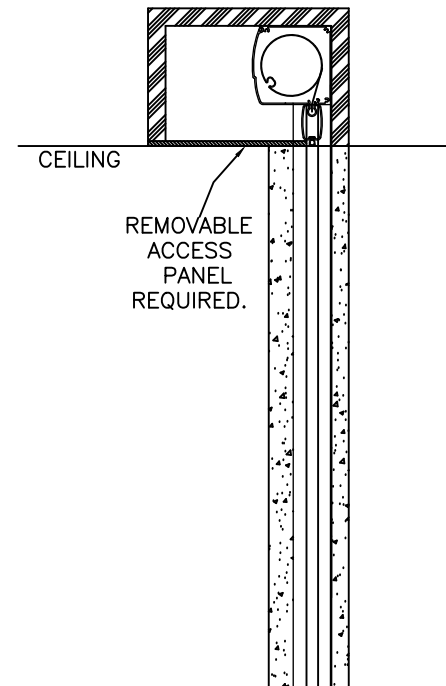
**RECESS/JAMB MOUNT**

See Page 8 of 13 for details.



**INWALL MOUNT**

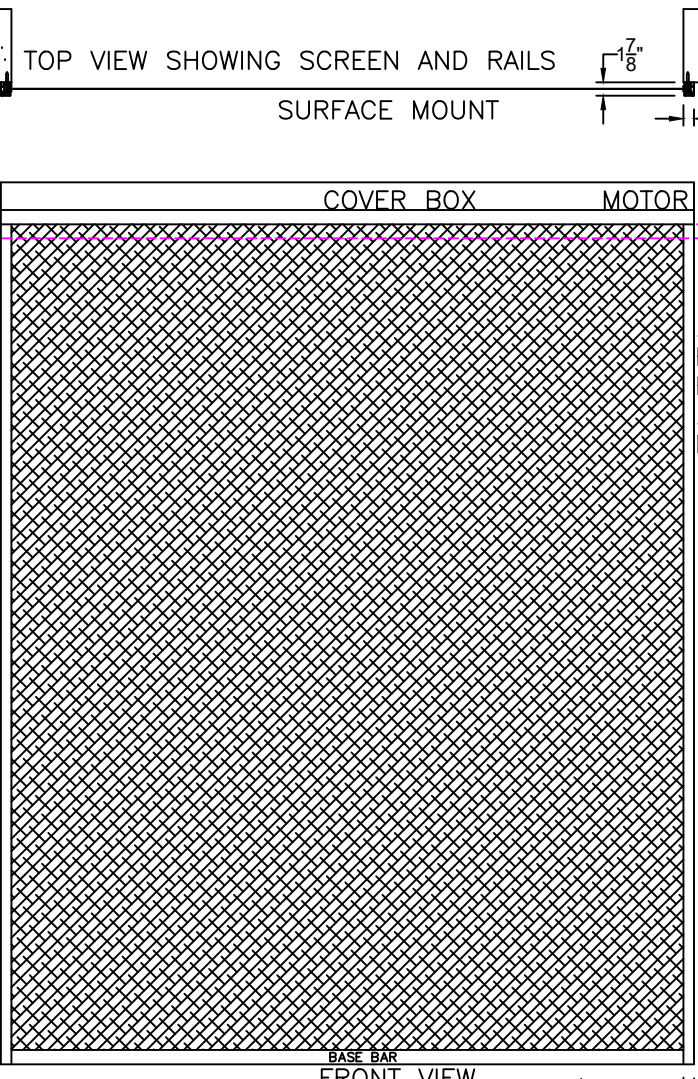
See Page 9 of 13 for details.



**ABOVE CEILING/  
SOFFIT MOUNT**

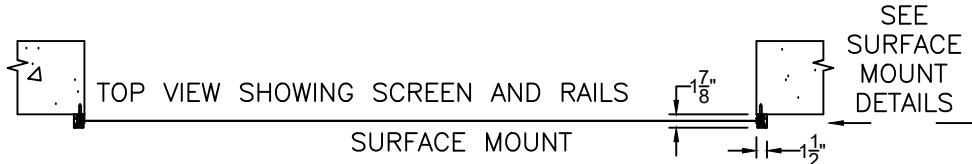
See Page 10 of 13 for details.

<p>Copyright © 2017 Rollac V1.1.2017</p> <p>ROLLAC ROLLING SHUTTERS 5331 W. ORANGE ST. PEARLAND, TX 77581 TEL. 281-485-1911 WWW.ROLLAC.COM</p>	NAME	DATE	PROJECT:	
	DRAWN	TRAVIS E.	2017/01/11	DESCRIPTION: SYSTEM SPECIFICATION SHEETS FOR ZIPSHADE 100 SYSTEM.
	CHECKED	STEFAN P.	2017/03/11	
	APPR.		YYYY/MM/DD	
<small>UNLESS OTHERWISE SPECIFIED DIMENSIONS ARE IN INCHES</small>			SIZE DWG. NO.	
ANGLES	X	XXX	XXX	<b>A</b> ZIPSHADE 100 <b>A</b>
	± .5	± .1	± .03 ± .005	SCALE: NONE WEIGHT: XX.XLBS 6 OF 13
<p>THIRD ANGLE PROJECTION</p>				



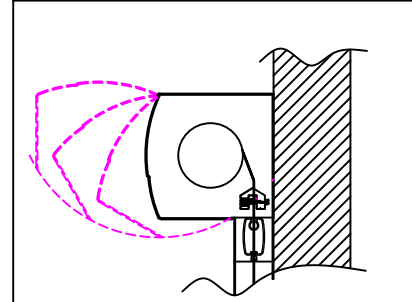
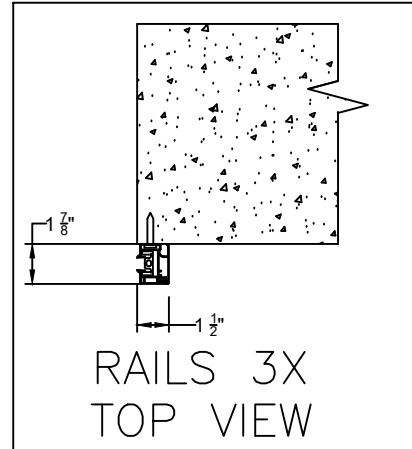
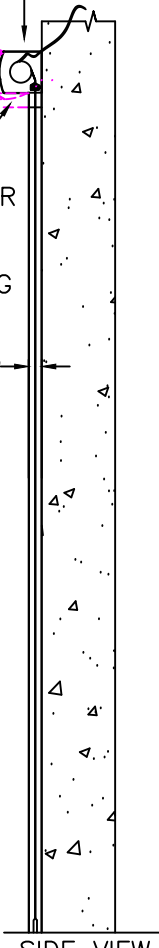
ZIPSHADE  
SURFACE MOUNT

ALL DIMENSIONS  
ARE IN INCHES



SEE  
SURFACE  
MOUNT  
DETAILS

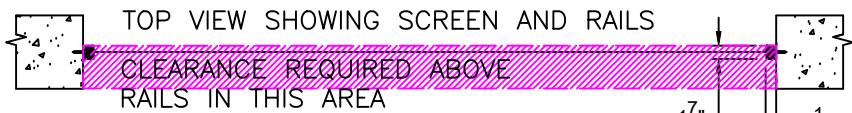
ALLOW 2" FOR  
BASE SLAT  
HANG.  
ALL MOUNTING  
METHODS.



SURFACE MOUNT  
DETAIL

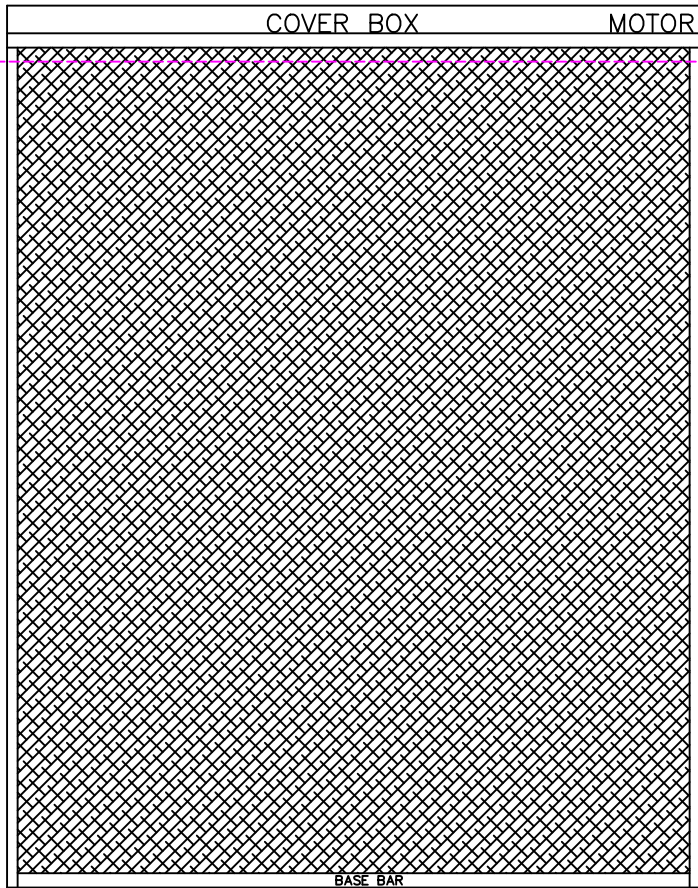
	NAME	DATE	PROJECT:
	DRAWN TRAVIS E.	2017/01/11	DESCRIPTION: SYSTEM SPECIFICATION SHEETS FOR ZIPSHADE 100 SYSTEM.
	CHECKED STEFAN P.	2017/01/11	
	APPR.	YYYY/MM/DD	
UNLESS OTHERWISE SPECIFIED DIMENSIONS ARE IN INCHES			SIZE DWG. NO.
Copyright © 2017 Rollac V1.1.2017  ROLLAC ROLLING SHUTTERS 5331 W. ORANGE ST. PEARLAND, TX 77581 TEL: 281-485-1911 WWW.ROLLAC.COM	ANGLES .X ± .5 .XX ± .1 .XXX ± .03 .00X ± .005		SCALE: NONE WEIGHT: XX.XLBS 7 OF 13
		THIRD ANGLE PROJECTION	REV <b>A</b> ZIPSHADE 100 <b>A</b>



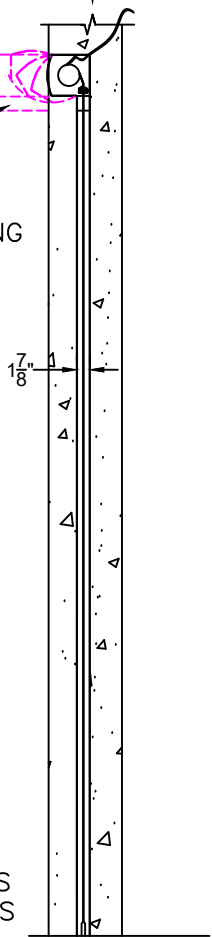


SEE RECESS MOUNT DETAIL

RECESS MOUNT

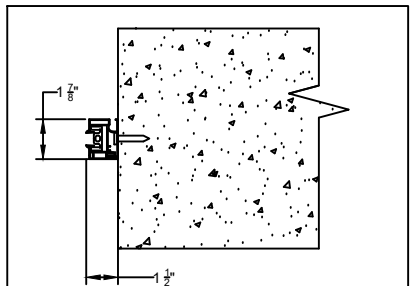


ALLOW 2" FOR BASE SLAT HANG ALL MOUNTING METHODS.

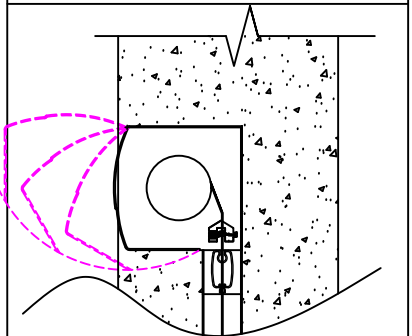


SIDE VIEW JAMB MOUNT

ALL DIMENSIONS ARE IN INCHES



RAILS 3X JAMB MOUNT TOP VIEW



COVER BOX 3X SIDE VIEW

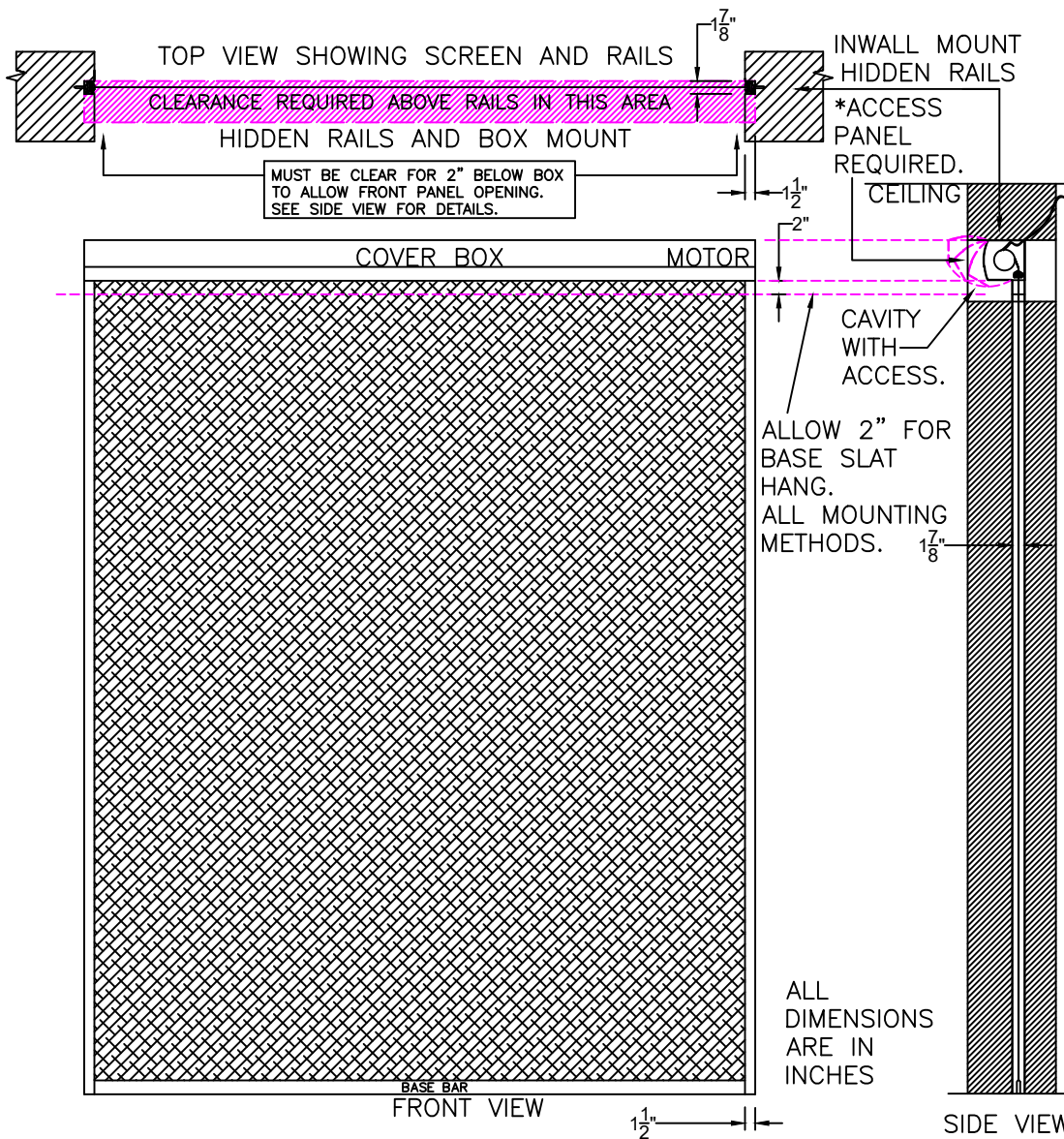
RECESS / JAMB MOUNT DETAIL

# ZIPSHADE RECESS/JAMB MOUNT



Copyright © 2017 Rollac V1.1.2017  
ROLLAC ROLLING SHUTTERS  
5331 W. ORANGE ST.  
PEARLAND, TX 77581  
TEL: 281-485-1911  
WWW.ROLLAC.COM

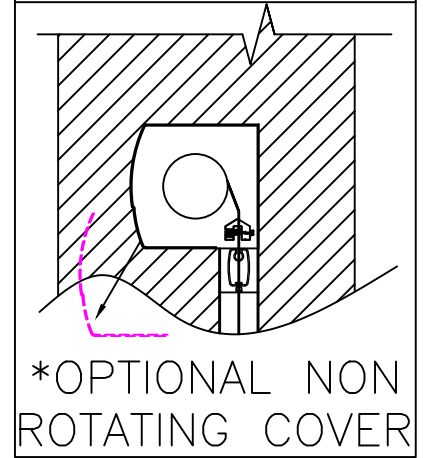
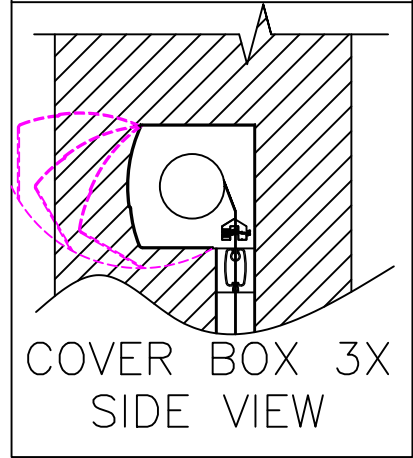
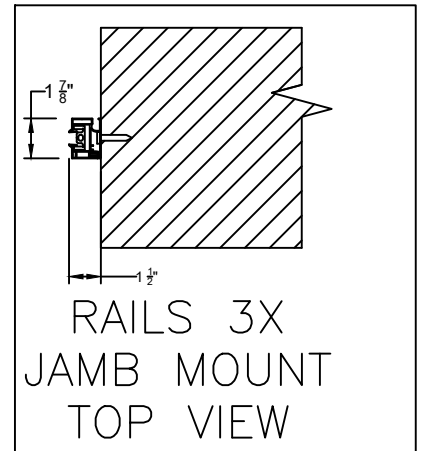
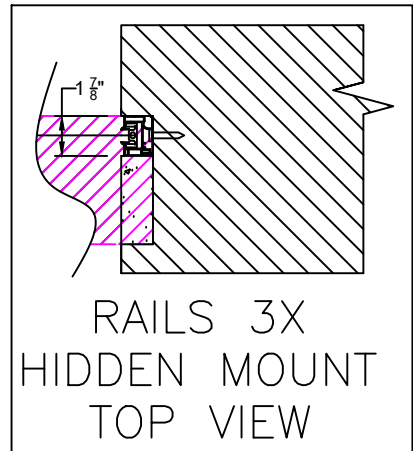
DRAWN	TRAVIS E.	DATE	2017/01/11	PROJECT:	
CHECKED	STEFAN P.		2017/01/11	DESCRIPTION: SYSTEM SPECIFICATION SHEETS FOR ZIPSHADE 100 SYSTEM.	
APPR.			YYYYMMDD		
UNLESS OTHERWISE SPECIFIED DIMENSIONS ARE IN INCHES				SIZE DWG. NO.	REV
ANGLES	.X	.XX	.XXX	<b>A</b> ZIPSHADE 100	<b>A</b>
± 5	± 1	± .03	± .005	SCALE: NONE	WEIGHT: XX.XLBS
THIRD ANGLE PROJECTION				8 OF 13	



# INWALL MOUNT

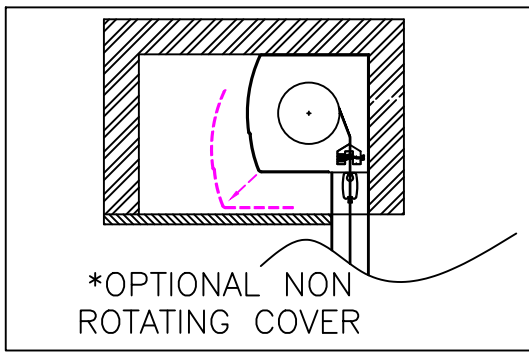
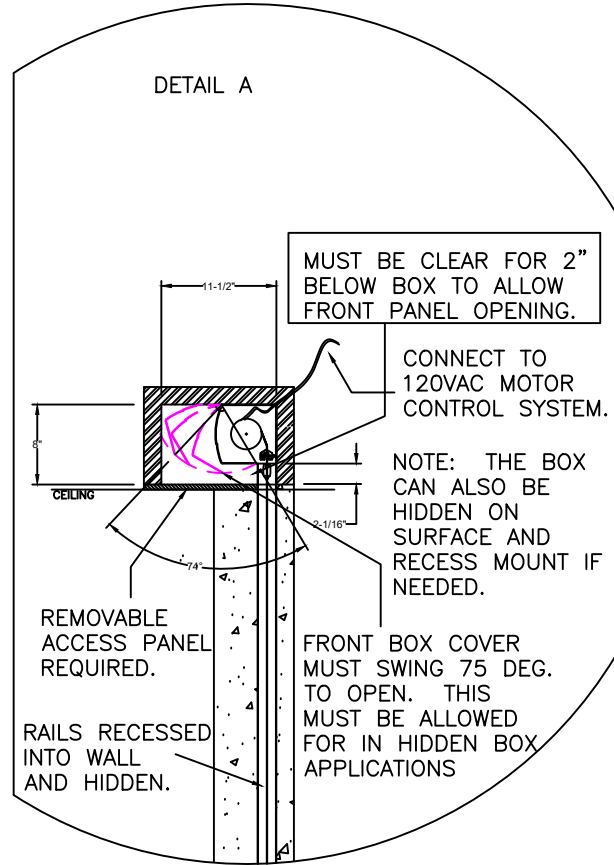
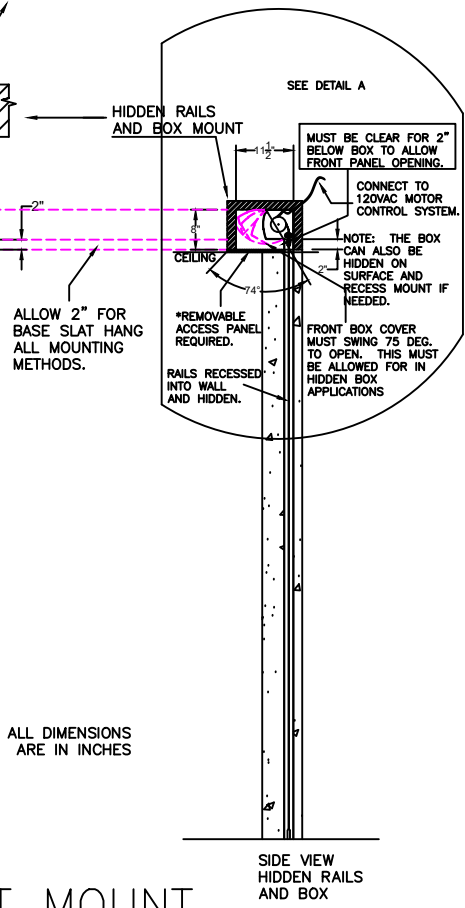
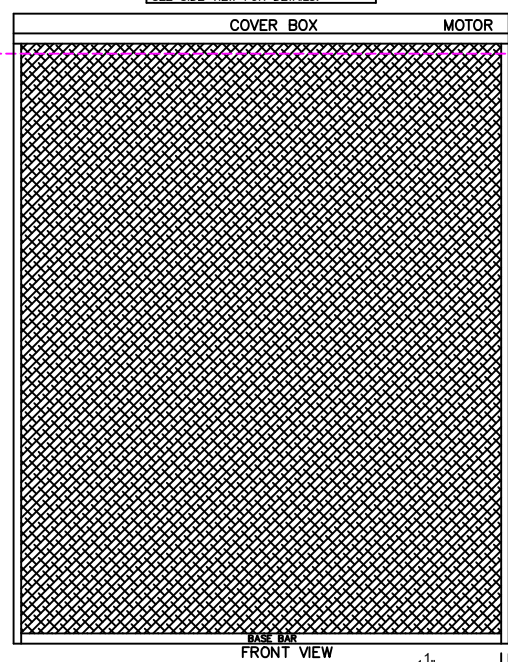
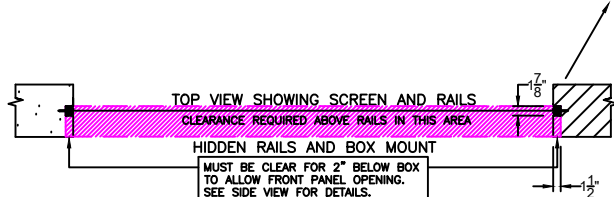
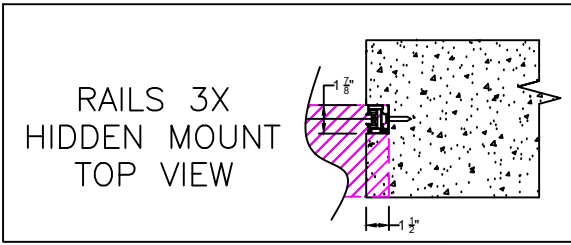
\*IN WALL MOUNTED ZIPSHADES ARE USUALLY MOUNTED INSIDE A CAVITY WITHIN THE HEADER ABOVE THE OPENING. AN ACCESS PANEL WILL HAVE TO BE PROVIDED TO ENABLE INSTALLATION AND SERVICE. THE OPTIONAL NON ROTATING COVER ALLOWS EASIER ACCESS INSIDE THE ACCESS PANEL IN SOME INSTALLATIONS. CONTACT ROLLAC FOR MORE DETAILS.

# RAILS CAN BE HIDDEN OR JAMB MOUNTED



# RECESS MOUNT DETAIL

<p>Copyright © 2017 Rollac V1.1.2017 ROLLAC ROLLING SHUTTERS 5331 W. ORANGE ST. PEARLAND, TX 77581 TEL: 281-485-1911 WWW.ROLLAC.COM</p>	NAME	DATE	PROJECT:
	DRAWN	TRAVIS E.	2017/01/11
	CHECKED	STEFAN P.	2017/01/11
	APPR.		YYYY/MM/DD
UNLESS OTHERWISE SPECIFIED DIMENSIONS ARE IN INCHES			
ANGLES	.X ± .5	.XX ± .1	.XXX ± .03
<p>THIRD ANGLE PROJECTION</p>			SIZE DWG. NO. <b>A</b> ZIPSHADE 100 <b>A</b> SCALE: NONE   WEIGHT: XX.XLBS   9 OF 13



ABOVE CEILING / SOFFIT MOUNT

\*ABOVE CEILING/SOFFIT MOUNTED ZIPSHADES ARE USUALLY MOUNTED INSIDE A CAVITY ABOVE THE CEILING OR SOFFIT. AN ACCESS PANEL WILL HAVE TO BE PROVIDED TO ENABLE INSTALLATION AND SERVICE. THE OPTIONAL NON ROTATING COVER ALLOWS EASIER ACCESS INSIDE THE ACCESS PANEL IN SOME INSTALLATIONS. CONTACT ROLLAC FOR MORE DETAILS.

**ROLLAC**

Copyright © 2017 Rollac  
V1.1.2017

ROLLAC ROLLING SHUTTERS  
5331 W. ORANGE ST.  
PEARLAND, TX 77581  
TEL: 281-485-1911  
WWW.ROLLAC.COM

NAME	DATE	PROJECT:
DRAWN TRAVIS E.	2017/01/11	
CHECKED STEFAN P.	2017/01/11	DESCRIPTION:
APPR.	YYYY/MM/DD	SYSTEM SPECIFICATION SHEETS FOR ZIPSHADE 100 SYSTEM.
UNLESS OTHERWISE SPECIFIED DIMENSIONS ARE IN INCHES		
ANGLES	.X .XX .XXX	
± .5 ± .1 ± .03 ± .005		
THIRD ANGLE PROJECTION		SIZE DWG. NO.
		<b>A</b> ZIPSHADE 100 <b>A</b>
		SCALE: NONE   WEIGHT: XX.XLBS   10 OF 13

# Recommended Fastener - Zipshade 100


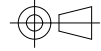
Substrate	Type of Screw	Minimum Embedment	Minimum Edge Distance	Drill Hole Spacing
Wood Framing*	#10 Wood or Lag Screw Pan Head, Phillips	1.5" Threaded Penetration to Existing Wood Stud	2" Edge Distance	Rails have predrilled holes. Hole spacing is every 10".
Concrete / Concrete Block Wall*	Fisher Plug 55 with Screw #10. Pan Head, Phillips (Still Verifying correct size with Fisher!)	1.75" Minimum Embedment into main structure*	3" Edge Distance	
Aluminum / Build Out / Angles	#10 TEK Screw Pan Head, Phillips	n.a.	n.a.	
Rail Snap Screw	DIN 912 M4 x 25 -A2	n.a.	n.a.	

Fastner schedule applies to zipshade guide rails. These fasteners can also be used to attach the housing!

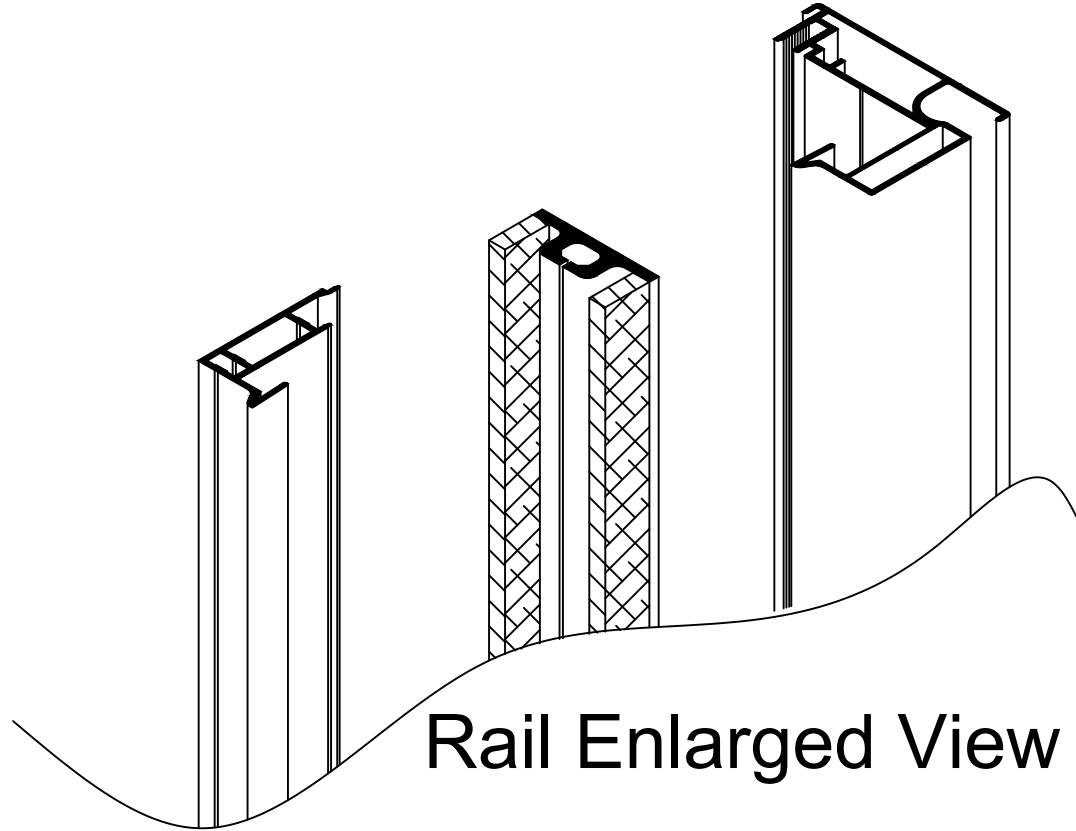
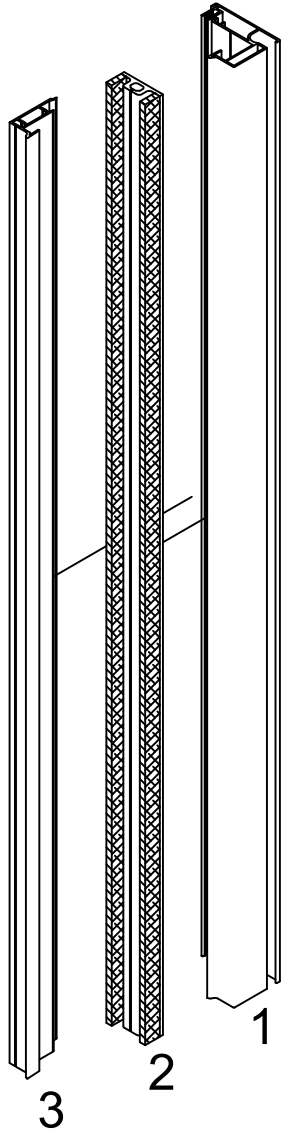
\* Minimum embedment into concrete / main structure. No embedment into stucco shall be considered as part of the required embedment

**Disclaimer: It is the responsibility of the installer to verify that the surface and structure is suitable to install a Zipshade. Fastener schedule is a recommendation. Installer to verify that Zipshade is securely fastened.**

**Choose Corrosion Resistant Material that is appropriate for the environment in which the product is being installed.  
Choose appropriate screw length to meet minimum embedment.**

 <p>Copyright © 2017 Rollac V1.1.2017 ROLLAC ROLLING SHUTTERS 5331 W. ORANGE ST. PEARLAND, TX 77581 TEL: 281-485-1911 WWW.ROLLAC.COM</p>	NAME	DATE	PROJECT:	
	DRAWN	TRAVIS E.	2017/01/11	DESCRIPTION: SYSTEM SPECIFICATION SHEETS FOR ZIPSHADE 100 SYSTEM.
	CHECKED	STEFAN P.	2017/01/11	
	APPR.		YYYY/MM/DD	
UNLESS OTHERWISE SPECIFIED DIMENSIONS ARE IN INCHES				
ANGLES	.X ± .5	.XX ± .1	.XXX ± .03	.XXX ± .005
 <p>THIRD ANGLE PROJECTION</p>			SIZE DWG. NO. <b>A</b> ZIPSHADE 100 <b>A</b>	
SCALE: NONE			WEIGHT: XX.XLBS	11 OF 13

# Rail Details



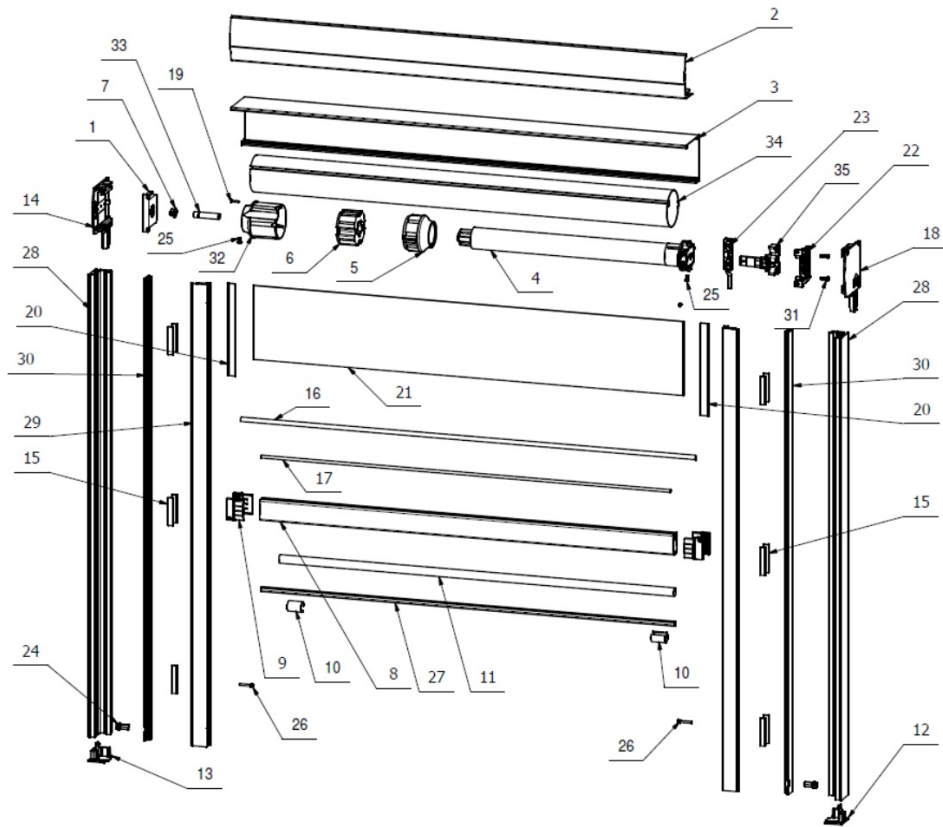
## Rail Enlarged View

- Rails come in three pieces.
- 1 -Larger part to be mounted first.
  - 2 -Zip Guide to be inserted with Screen.
  - 3 -Final part attached with screws to mounted part (1) with Zip guide (2) and screen enclosed.

<p>Copyright © 2017 Rollac V1.1.2017 ROLLAC ROLLING SHUTTERS 5331 W. ORANGE ST. PEARLAND, TX 77581 TEL: 281-485-1911 WWW.ROLLAC.COM</p>	NAME	DATE	PROJECT:	
	DRAWN	TRAVIS E.	2017/01/11	DESCRIPTION: SYSTEM SPECIFICATION SHEETS FOR ZIPSHADE 100 SYSTEM.
	CHECKED	STEFAN P.	2017/01/11	
	APPR.		YYYY/MM/DD	
UNLESS OTHERWISE SPECIFIED DIMENSIONS ARE IN INCHES				
ANGLES	.X	.XX	.XXX	
	± .5	± .1	± .03 ± .005	
<p>THIRD ANGLE PROJECTION</p>			SIZE DWG. NO. <b>A</b> ZIPSHADE 100 <b>A</b>	
			SCALE: NONE   WEIGHT: XX.XLBS   12 OF 13	

**FixScreen 100 Evo**

ITEM	DESCRIPTION	PART NUMBER	ITEM	DESCRIPTION	PART NUMBER
1	SLIDE BEARING SUPPORT	G6020308	18	COVER RIGHT	G6020301
2	FRONT COVER PROFILE	P6037010	19	SCREW SIDE BRACKET (ISO 7050 - ST3,5 x 19)	G0002252
3	BACK COVER PROFILE	P6037110	20	SYMMETRICAL ZIP FOR FABRIC	g6045390
4	MOTOR	S...	21	FABRIC	
5	CONE SHAPED END PIECE ROLLING TUBE MOTOR SIDE $\Phi$ 78mm	G6000418	22	SLIDE CONNECT & GO (motor)	G6020305
6	CROWN WHEEL Somfy® MOTOR FOR $\Phi$ 78mm	G6014001	23	Con&go CABLE WITH CONNECTOR	S...
7	BEARING JFM-1214-09	g6000762	24	KLICKER (Not needed iin Fix100 IM1)	G6020304
8	BOTTOM RAIL PROFILE	P60174	25	SCREW FRONT COVER (ISO 7380 - M4 x 10)	G6000970
9	BOTTOM BAR ENDCAP	g6001000	26	SCREW SIDE CHANNELS (DIN 912 - M4 x 25)	G6000494
10	PE-FOAM WEIGHT BOTTOM BAR	G6000771	27	SCREEN CORD (BOTTOM BAR)	P6028425
11	WEIGHT	P60271	28	SIDE CHANNEL PROFILE - BACK (Punched)	P6038630
12	ENDCAP SIDE CHANNEL RIGHT	G6020302	29	SIDE CHANNEL COVER - FRONT	P6038730
13	ENDCAP SIDE CHANNEL LEFT	G6020309	30	CO-extruded nternal HPVC channel, dark grey (6m)	P6046710
14	SIDE BRACKET LEFT	G6020300	31	SCREW SOMFY 5X16.5 Con&go	G6002839
15	FOAM INTERNAL HPVC	G6000347	32	CONE SHAPED END PIECE ROLLING TUBE BEARING SIDE $\Phi$ 78mm	G6010093
16	BRUSH BACK PROFILE	P6026628	33	AXE D12x56 FOR CONE SHAPED END PIECE BEARING	G6010130
17	SCREEN CORD	P6028425	34	ROLLING TUBE	P6025617



<p>Copyright © 2017 Rollac V1.1.2017</p> <p>ROLLAC ROLLING SHUTTERS 5331 W. ORANGE ST. PEARLAND, TX 77581 TEL 281-485-1911 WWW.ROLLAC.COM</p>	NAME	DATE	PROJECT:																
	DRAWN	TRAVIS E.	2017/01/05	DESCRIPTION: SYSTEM SPECIFICATION SHEETS FOR ZIPSHADE 100 SYSTEM.															
	CHECKED	STEFAN P.	2017/01/05																
	APPR.		YYYY/MM/DD																
UNLESS OTHERWISE SPECIFIED DIMENSIONS ARE IN INCHES			SIZE DWG. NO.																
<table border="1"> <tr> <td>ANGLES</td> <td>.X</td> <td>.XX</td> <td>.XXX</td> </tr> <tr> <td></td> <td>± .5</td> <td>± .1</td> <td>± .03 ± .005</td> </tr> </table>			ANGLES	.X	.XX	.XXX		± .5	± .1	± .03 ± .005	<table border="1"> <tr> <td></td> <td>A</td> <td>ZIPSHADE 100</td> <td>A</td> </tr> <tr> <td>THIRD ANGLE PROJECTION</td> <td>SCALE: NONE</td> <td>WEIGHT: XX.XLBS</td> <td>13 OF 13</td> </tr> </table>		A	ZIPSHADE 100	A	THIRD ANGLE PROJECTION	SCALE: NONE	WEIGHT: XX.XLBS	13 OF 13
ANGLES	.X	.XX	.XXX																
	± .5	± .1	± .03 ± .005																
	A	ZIPSHADE 100	A																
THIRD ANGLE PROJECTION	SCALE: NONE	WEIGHT: XX.XLBS	13 OF 13																



Experience  
Technology  
Higher Standards

Since 1982, Rollac has operated with a vision of quality, service, and modern technology to produce the best possible product for our customers. Each product is custom manufactured for every single job to ensure the best fit and finish. Regardless if you are looking to enhance security, add comfort to a space, or seek protection from the elements, Rollac has the solution for your home or work environment.

**ROLLAC** 

5331 West Orange Street  
Pearland, TX 77581

toll free 1.888.2-ROLLAC  
phone 281.485.1911  
fax 281.485.0839

